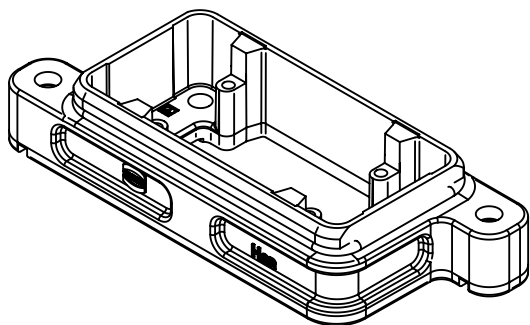
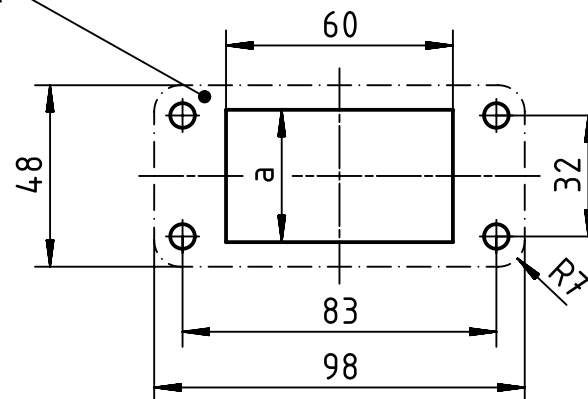



for EMC features,  
conductive surface

panel cut out



|                 |      |
|-----------------|------|
| application     | a    |
| standard insert | 35   |
| HC-Modular 650  | 44,5 |

|   |  |                                      |                           |                      |                             |  |                        |
|---|--|--------------------------------------|---------------------------|----------------------|-----------------------------|--|------------------------|
|  | All Dimensions in mm<br>Original Size DIN A4 |                                      | Scale<br>1:2              | Free size tol.       |                             | Ref.   |                        |
|   | All rights reserved<br>Department EL PD - DE |                                      | Created by<br>RULLKOETTER | Inspected by<br>GERB | Standardisation<br>TIEMANNA | Date<br>2015-09-02                                       | State<br>Final Release |
| HARTING Electric GmbH & Co. KG<br>D-32339 Espelkamp                                 |  | Title<br>Han 10HPR-HBM-Screw locking |                           |                      |                             | Doc-Key / ECM-Nr.<br>100209590/UGD/004/C<br>500000093924 |                        |
|   |  | Type<br>TB                           | Number<br>09 40 010 0311  |                      |                             | Rev.<br>C  | Page<br>1/1            |